

# ElectroMOD

3D Electrical Hardware Block Library for CADWorx® PLANT



**ElectroMOD** is a CADWorx PLANT Add-on that contains over one thousand AutoCAD 2D & 3D Electrical Component blocks.

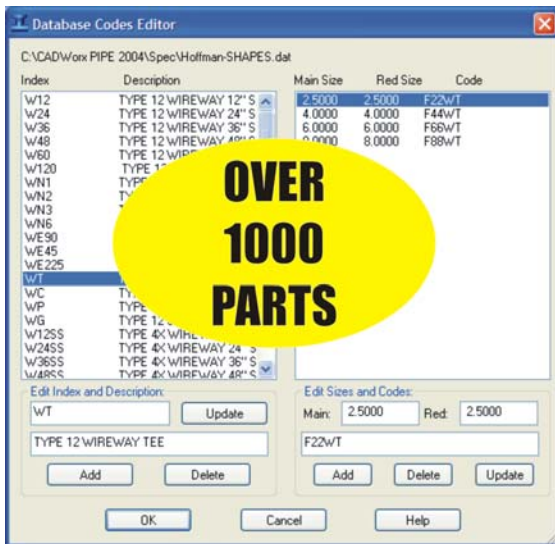
These 3D blocks have been optimized so they work in conjunction with CADWorx Plant functions and features. This seamless integration allows companies to leverage their CADWorx investment for executing electrical 3D modeling and detailing.

ElectroMOD fully supports Conduit system management. Each electrical component can be populated with information such as:

- Nominal Size
- Short and Long Descriptions
- Line or Circuit Numbers
- Part Numbers
- Weight

All parts can be integrated with a project database or exported to worksheets for BOM extraction and other engineering deliverables.

Building electrical specification into physical plant design applications enables companies to comply with Area Classifications.

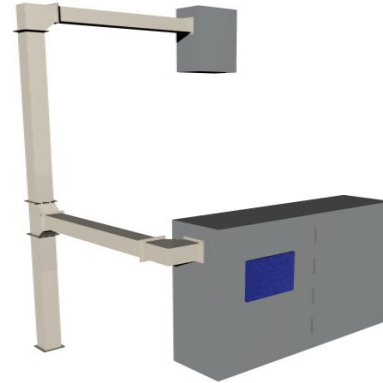


ElectroMOD is ideal for companies who want to include electrical hardware in their 3D models and 2D details.

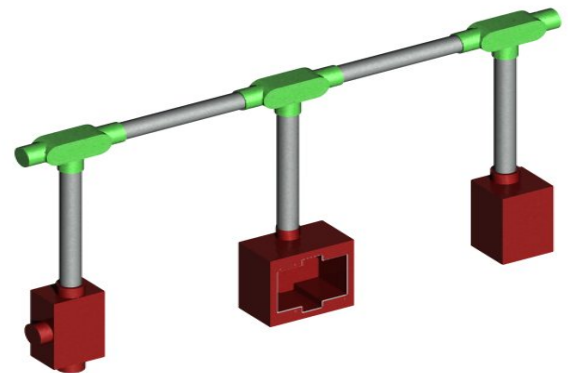
## THE WAY IT WORKS

ElectroMOD is a package of pre-configured AutoCAD blocks specifically designed to work within the CADWorx environment. ECE Solutions licenses these blocks on a per site basis. ECE provides design services to further enhance the library to meet the specific needs of its customers. These enhancements are then included in the next release of ElectroMOD and distributed to all customers under the annual UMS agreement.

## Panels, Boxes & Wireways



## Conduit Bodies & Device Boxes



## Light Fixtures



## Distributor Information:

ECE Design  
1000 W. Monroe Street - Suite 2E  
Chicago, IL 60607  
[www.ecedesign.com](http://www.ecedesign.com)

Ph. 312-235-6960  
Fx. 312-602-3424

© 2008 ECE Solutions, LLC.  
All rights Reserved  
CADWorx is a Trademark of Coade, Inc.