



Keeping
an Eye on
the Project

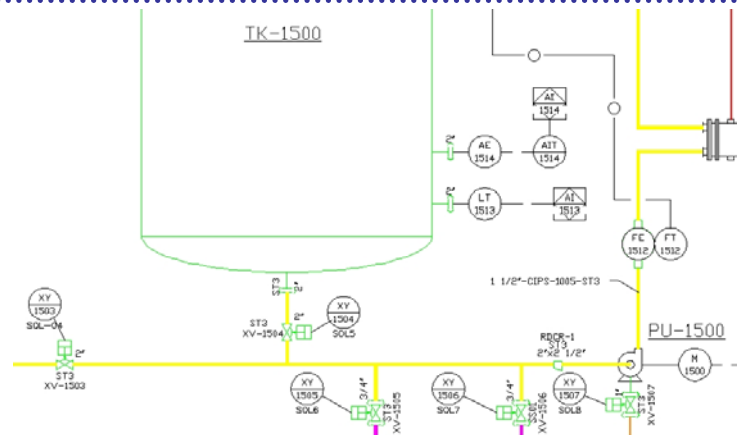


A CADWorx Add-On that gives easy access to P&ID Drawing databases and provides utilities for Excel export/import, datasheets, cost tracking, and more...

Leveraging P&ID Drawing Data

PIDMO provides easy access to all the data associated with P&ID drawings and leverages that data over an entire plant life cycle.

- Engineering & Project Management
- Purchasing & Receiving Inspection
- Construction, Validation & Commissioning
- Operations & Maintenance
- Integrity Management & Turn Around Planning



P&ID Drawings "Linked" to PIDMO
Enables Total Control of
Component Information.

Functions that Make a Difference

Totally Customizable User Interface

PIDMO has 18 Component Screens that are all independently configurable. This means every discipline can have the information set up to meet their needs.

Standardized Excel Project Reports

PIDMO can Export to Excel and Import from Excel. This bi-directional data flow greatly improves standardized reporting and provides the ultimate in flexibility.

Automatic Drawing Updates

PIDMO links directly to P&ID Drawing databases, so Non-CAD users can update drawing annotations automatically.

Instrument & Equipment Datasheets

PIDMO has a datasheet utility that links component data to an Excel worksheet template and automatically controls and creates datasheet revisions.

Project Cost Tracking & Estimation

PIDMO tracks the cost of every component on a project and provides a running total for these project costs.

Interfaces with P&IDs and 3D Models

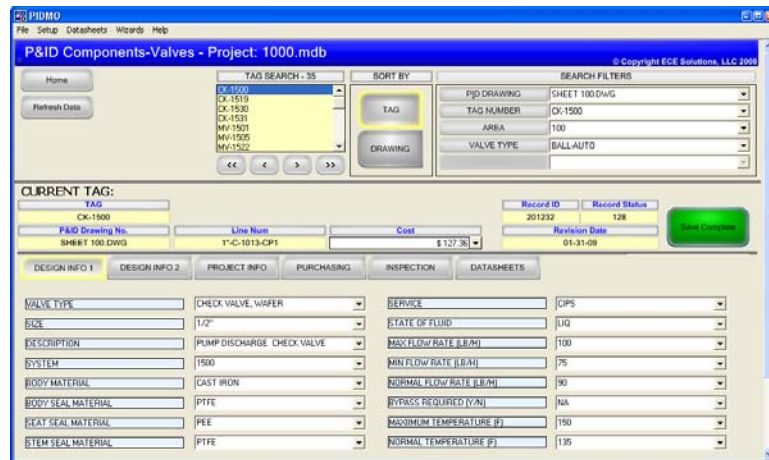
PIDMO makes data accessible from both drawing types.

Security and User Access Rights

PIDMO only allows users access based upon rights assigned to them.

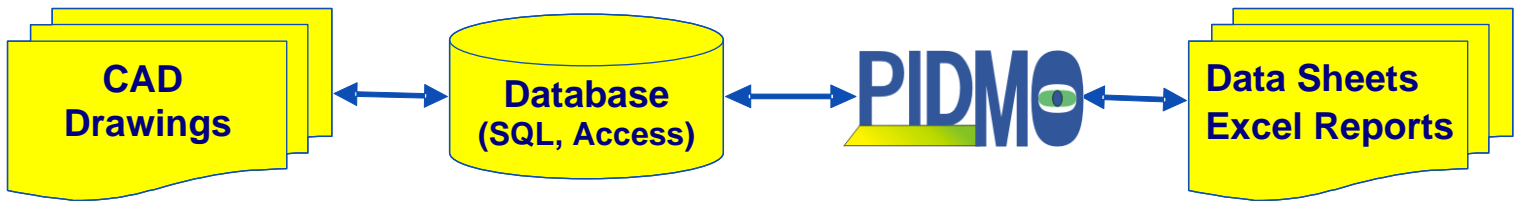
Create and Apply Look Up Lists (Tables)

PIDMO is used to store lists of information that are typical to a project and then checks to make sure the project data complies with these lists.



PIDMO improves project performance by
enabling people to work with P&ID data
using Microsoft Excel

Drawing	Tag	Size	Service	Valve Type	Actuator	Connection	End Position	Manufacturer
PID-1000_R1 DAWG	SV-1000A	2"	PROPYLENE GLYCOL	SHUT OFF VALVE, BFLY, WAFER	SPRING RETURN	150 LB	NC	KEYSTONE/MORIN
PID-1000_R1 DAWG	SV-1000B	2"	PROPYLENE GLYCOL	SHUT OFF VALVE, BFLY, WAFER	SPRING RETURN	150 LB	NC	KEYSTONE/MORIN
PID-1000_R1 DAWG	SV-1001A	2"	BUTYL ALCOHOL	SHUT OFF VALVE, BFLY, WAFER	SPRING RETURN	150 LB	NC	KEYSTONE/MORIN
PID-1000_R1 DAWG	SV-1001B	2"	BUTYL ALCOHOL	SHUT OFF VALVE, BFLY, WAFER	SPRING RETURN	150 LB	NC	KEYSTONE/MORIN
PID-1000_R1 DAWG	SV-1002A	2"	ETHANOL	SHUT OFF VALVE, BFLY, WAFER	SPRING RETURN	150 LB	NC	KEYSTONE/MORIN
PID-1000_R1 DAWG	SV-1002B	2"	ETHANOL	SHUT OFF VALVE, BFLY, WAFER	SPRING RETURN	150 LB	NC	KEYSTONE/MORIN
PID-1000_R1 DAWG	SV-1003A	2"	DI WATER	SHUT OFF VALVE, BFLY, WAFER	SPRING RETURN	150 LB	NC	KEYSTONE/MORIN
PID-1000_R1 DAWG	SV-1003B	2"	DI WATER	SHUT OFF VALVE, BFLY, WAFER	SPRING RETURN	150 LB	NC	KEYSTONE/MORIN
PID-1000_R1 DAWG	SV-1004A	3"	DI WATER	SHUT OFF VALVE, BFLY, WAFER	SPRING RETURN	150 LB	NC	KEYSTONE/MORIN
PID-1000_R1 DAWG	SV-1004B	3"	DI WATER	SHUT OFF VALVE, BFLY, WAFER	SPRING RETURN	150 LB	NC	KEYSTONE/MORIN
PID-1000_R1 DAWG	SV-1005A	4"	RECYCLED VEG OIL	SHUT OFF VALVE, BFLY, WAFER	SPRING RETURN	150 LB	NC	KEYSTONE/MORIN
PID-1000_R1 DAWG	SV-1005B	4"	RECYCLED VEG OIL	SHUT OFF VALVE, BFLY, WAFER	SPRING RETURN	150 LB	NC	KEYSTONE/MORIN
PID-1000_R1 DAWG	SV-2000A	4"	INGREDIENT WASTE	SHUT OFF VALVE, BFLY, WAFER	SPRING RETURN	150 LB	NC	KEYSTONE/MORIN
PID-1000_R1 DAWG	SV-2000B	4"	INGREDIENT WASTE	SHUT OFF VALVE, BFLY, WAFER	SPRING RETURN	150 LB	NC	KEYSTONE/MORIN
PID-1000_R1 DAWG	SV-2000C	3"	DI WATER	SHUT OFF VALVE, BFLY, WAFER	SPRING RETURN	150 LB	NC	KEYSTONE/MORIN
PID-1000_R1 DAWG	SV-2000D	1 1/2"	DI WATER	SHUT OFF VALVE, BFLY, WAFER	SPRING RETURN	150 LB	NC	KEYSTONE/MORIN
PID-1000_R1 DAWG	SV-2000E	1 1/2"	DI WATER	SHUT OFF VALVE, BFLY, WAFER	SPRING RETURN	150 LB	NC	KEYSTONE/MORIN
PID-1000_R1 DAWG	SV-2000F	1 1/2"	DI WATER	SHUT OFF VALVE, BFLY, WAFER	SPRING RETURN	150 LB	NC	KEYSTONE/MORIN
PID-1000_R1 DAWG	SV-2000G	3"	OIL SOLUTION	SHUT OFF VALVE, BFLY, WAFER	SPRING RETURN	150 LB	NC	KEYSTONE/MORIN
PID-1000_R1 DAWG	SV-2000H	3"	OIL SOLUTION	SHUT OFF VALVE, BFLY, WAFER	SPRING RETURN	150 LB	NC	KEYSTONE/MORIN
PID-1000_R1 DAWG	SV-2000I	4"	DI WATER	SHUT OFF VALVE, BFLY, WAFER	SPRING RETURN	150 LB	NC	KEYSTONE/MORIN
PID-1000_R1 DAWG	SV-2000J	4"	INGREDIENT WASTE	SHUT OFF VALVE, BFLY, WAFER	SPRING RETURN	150 LB	NC	KEYSTONE/MORIN
PID-1000_R1 DAWG	SV-2001A	1 1/2"	DI WATER	SHUT OFF VALVE, BFLY, WAFER	SPRING RETURN	150 LB	NC	KEYSTONE/MORIN
PID-1000_R1 DAWG	SV-2001B	1 1/2"	DI WATER	SHUT OFF VALVE, BFLY, WAFER	SPRING RETURN	150 LB	NC	KEYSTONE/MORIN
PID-1000_R1 DAWG	SV-2001C	3"	DI WATER	SHUT OFF VALVE, BFLY, WAFER	SPRING RETURN	150 LB	NC	KEYSTONE/MORIN
PID-1000_R1 DAWG	SV-2001D	3"	DI WATER	SHUT OFF VALVE, BFLY, WAFER	SPRING RETURN	150 LB	NC	KEYSTONE/MORIN
PID-1000_R1 DAWG	SV-2001E	3"	DI WATER	SHUT OFF VALVE, BFLY, WAFER	SPRING RETURN	150 LB	NC	KEYSTONE/MORIN
PID-1000_R1 DAWG	SV-2001F	1 1/2"	DI WATER	SHUT OFF VALVE, BFLY, WAFER	SPRING RETURN	150 LB	NC	KEYSTONE/MORIN
PID-1000_R1 DAWG	SV-2001G	3"	DI WATER	SHUT OFF VALVE, BFLY, WAFER	SPRING RETURN	150 LB	NC	KEYSTONE/MORIN
PID-1000_R1 DAWG	SV-2001H	3"	DI WATER	SHUT OFF VALVE, BFLY, WAFER	SPRING RETURN	150 LB	NC	KEYSTONE/MORIN
PID-1000_R1 DAWG	SV-2001I	3"	DI WATER	SHUT OFF VALVE, BFLY, WAFER	SPRING RETURN	150 LB	NC	KEYSTONE/MORIN



Integration with CAD Technology

Performance Improvement

ECE knows how to improve plant design project performance and has built this knowledge into *PIDMO*. *PIDMO* links and manages plant/equipment lifecycle data and records from design through decommissioning. Thus, *PIDMO* becomes a key contributor to performance improvements.

PIDMO for Engineering & Inspection

Centralized 3D CAD model data enables project management by keeping information accessible and updated real-time with design and project administration activities. Systematically, *PIDMO* improves engineering, construction, inspection and validation performance.

Project cost and schedule reductions are realized by:

- Consolidating and Organizing Design Information
- Improving Information Availability
- Real-time Compliance Assessment
- Streamlining Information Exchange with Vendors
- Compiling and Monitoring Component and System Cost
- Managing Installation & Operation Qualification Data
- Receiving, Approving and Organizing Documentation

PIDMO for Operations

Making engineering, construction inspection, and qualification information available for transfer to operations and maintenance will improve owner-operator performance. Plant reliability and availability improvements are realized by:

- Transferring As-Built Data for Validation and Integrity Management
- Validating Component and System Performance
- Boosting Business Performance through Effective Inspection / Maintenance
- Improving Turnaround (TAR) Planning and Estimation

Contact us to learn more about how *PIDMO* can be integrated with existing company processes to improve overall project performance.

System Requirements

PIDMO requires minimal computer resources and will run on computers with Windows operating system.

Recommended Software Requirements:

- Window XP or later
- Microsoft Office 2000 or later
- Microsoft Access 2000 or later

Optional

- AutoCAD 2004 or later
- CADWorx P&ID Professional
- Microsoft SQL Server 2005

Recommended Hardware Requirements:

- 1.8 GHz Processor
- 1 GB RAM
- 20 MB installation disk space



1000 W. Monroe St. – Suite 2E
Chicago, IL 60607
Phone 312-235-6960
www.ecedesign.com

© 2009 ECE Solutions, LLC.

All rights Reserved

CADWorx is a Trademark of Coade, Inc.
Windows, Excel and SQL Server are trademarks of Microsoft Corporation.
AutoCAD is a trademark of Autodesk.
Isogen is a trademark of Alias LTD.